

# USB Type-C PD3.2 Fast charging protocol intelligent management chip

## Product Features

- Be compatible with various of USB Type-A port Fast charge protocol, can intelligently identify the protocol of mobile phone, including: (BC1.2), (Apple2.4A), (QC2.0 Class A), (QC3.0 Class A/B), (FCP), (SCP), (AFC), (low voltage direct charge), etc.
- Be compatible with various USB Type-C protocols, including Type-C protocol, Type-C PD2.0, Type-C PD3.0, Type-C PD3.2, etc.
- The maximum output current is optional
- $D_{\pm}$  BV is 13V
- CC BV is 30V
- Adjustable voltage accuracy 20mV/step
- Voltage regulation range of the VBUS is 3~20V
- Customization refer to Type-C PD PDO
- Package: SOP8

## Application field

- Charger
- Car charging
- Portable power source
- USB panel
- USB HUB
- Other USB Type-C power output devices

## Product Overview

FS8611J belongs to FASTSOC FSFC series, the chip selectively compatible with the mainstream charging protocols. The chip intelligently identifies the type of Mobile and selects the most appropriate protocol for the mobile needs.

The  $D_{\pm}$  and CC Break down voltage of the chip are higher than 15V and 27V, with high reliability.

FS8611J has a minimum power supply of 3V and a maximum power supply of 21V, which can adapt to the output voltage of various fast charging protocols.

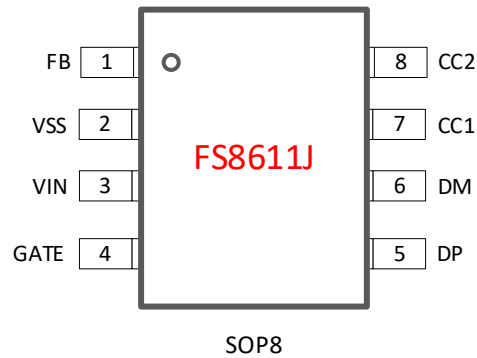
FS8611J use SOP8 package.

## Order information

Part No	Package	Pcs/Reel
FS8611J-XYZPA	SOP8	4000

*comment: XYZ is selected according to specific function, refer to "device selection"*

## Chip packaging and pin definition



Pic 1. Pin definition

Table 1. FS8611J-XYZPA Pin function description

FS8611J	Name of the pin	Description
1	FB	External compensation network
2	VSS	Chip ground, connected to the system ground
3	VIN	Power Input, connected to the output of a power supply system
4	CGATE	Control the Voltage of CVBUS in Type-C port, control PMOSFET This pin can be suspended
5	DP	Connect the USB Type-C DP pin
6	DM	Connect the USB Type-C DM pin
7	CC1	Connect the USB Type-C CC1 pin
8	CC2	Connect the USB Type-C CC2 pin



## Extreme operating range

Table 2. Maximum operating range

Parameter	Value
CGATE	-0.3V~30V
CC1, CC2	-0.3V~30V
DP, DM	-0.3V~13V
FB, VIN	-0.3V~5.5V
ESD (HBM)	±4KV

The maximum operating range listed in the table above, if the limit is exceeded, the chip may be permanently damaged. Users should try to avoid it.

## Normal operating range

Table 3. Normal operating range

Parameter	Value
VIN	3V~5.6V
D±	0V~3.3V
FB	0V~3.3V
Operating temperature range	-40°~105°
Working current	<1mA

## Device Configuration

FSFC series IC have plenty of configuration options that include several broad categories: protocol type, declared power and voltage, list as following.

### Protocol type

The FSFC series is compatible with various protocols of port A and port C. FASTSOC will provide commonly used chip types for users to choose, but users can still customize the type of agreement, Please contact the sales for details.

Table 4. List of compatible protocol types

Port A protocol							Port C protocol					
Apple 2.4A	BC1.2	QC2.0	QC3.0	FCP	AFC	SCP	Low voltage charging	TypeC	PD2	PD3	PD3.2	QC4



Note:

1. FS8611J does not have constant current function. If you need this function, you can choose FS8612 or FS8612C.
2. FS8611J supports other A/C port agreements, please consult with sales and distributors for details.

### Declared power and voltage

The chip provides multiple power and voltage options for customers to choose from, and can be customized for users .

### Device selection

The identification mode of the FS8611J series is FS8611J-XYZPA.

X represents the common definitions of compatible protocol types, as shown in the table below

Table 5. Named X Values

X value	Maximum voltage supported
L	12V
H	20V

Y represents the default PDO setting, which users can choose according to their actual situation. Due to space limitations, it is not fully listed in the manual. Please consult sales for details.

Table 6. Y Values

Example of Y value	PDO when FUNC feet are suspended
18W9V	18W, Up to 9V. Namely: 5V/3A, 9V/2A
36W12V	36W, Up to 12V. Namely:5V/3A, 9V/3A, 12V/3A

Z is used for protocol selection supported by the chip, as shown in the table below

Table 7. Named Z Values

Z value	Protocol supported by the chip
A	BC1.2 Apple2.4A
B	BC1.2 Apple2.4A QC
C	BC1.2 Apple2.4A QC AFC FCP SCP
other	Contact sales channels



## Pin definition and instructions

### VIN

VIN supplies power to the chip and requires an external 750 Ω resistor to be pulled up to VBUS. For applications within 12V, you can choose a 0603/0805 resistor, and for applications with 20V, it is recommended to choose a 1206 resistor. The capacitor uses 0.47uF.

### DP and DM

DP and DM breaking down voltage (BV) is greater than 12V, which improves the stability of system insertion and removal.

### CC1 and CC2

CC1 and CC2 Connect to CC1 and CC2 in the Type-C port. CC1 and CC2 BV is above 30V, which improves the stability of system insertion and removal.

### CGATE

External PMOS is connected to control the channel switch between VDD and CVBUS. FS8611J , this foot position can be suspended.

### FB

As a FB application, the FB is connected to the power supply system and used to control the VBUS voltage of the USB. After the mobile phone and FSFC negotiate the protocol through D±/CC and the required voltage, FSFC initiates voltage regulation through FB. The Voltage regulating accuracy of FB is 20mV, and the voltage regulating speed is 200mV / 500us. Assume that FB is connected with an external resistor R1 to VBUS and an external resistor R2 to ground. The usual calculation formula is as follows,

$$R_2 = \frac{R_1 V_{FB}}{V_{VBUS} - V_{FB}}$$

For instance,

V<sub>VBUS</sub> take 5 v

V<sub>FB</sub> can be found in the manual of the power IC, for example, take 0.8V

The typical value of R<sub>1</sub> is 100 KΩ. The precision must meet system requirements, for example, 1%

So we can figure out R<sub>2</sub>.

The power system can be AC/DC, and for better feedback, it is recommended to use 432 instead of 431.



## Application example

The typical application of FS8611J is shown in the right figure, where the chip is powered by the output of the power supply.

FB external power supply system.

CGATE controls CVBUS output through PMOS.

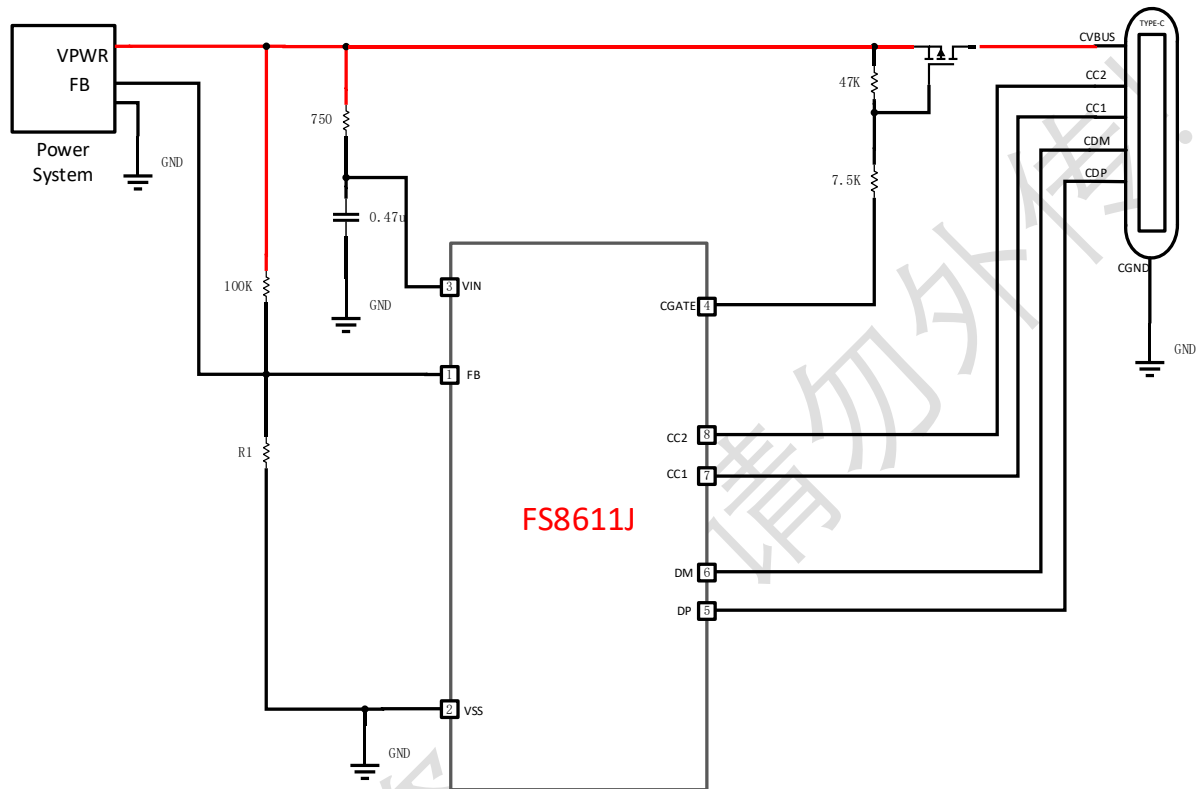


Figure 2. Application diagram



In low-cost applications, external MOSFETs can be removed, as shown in the following figure.

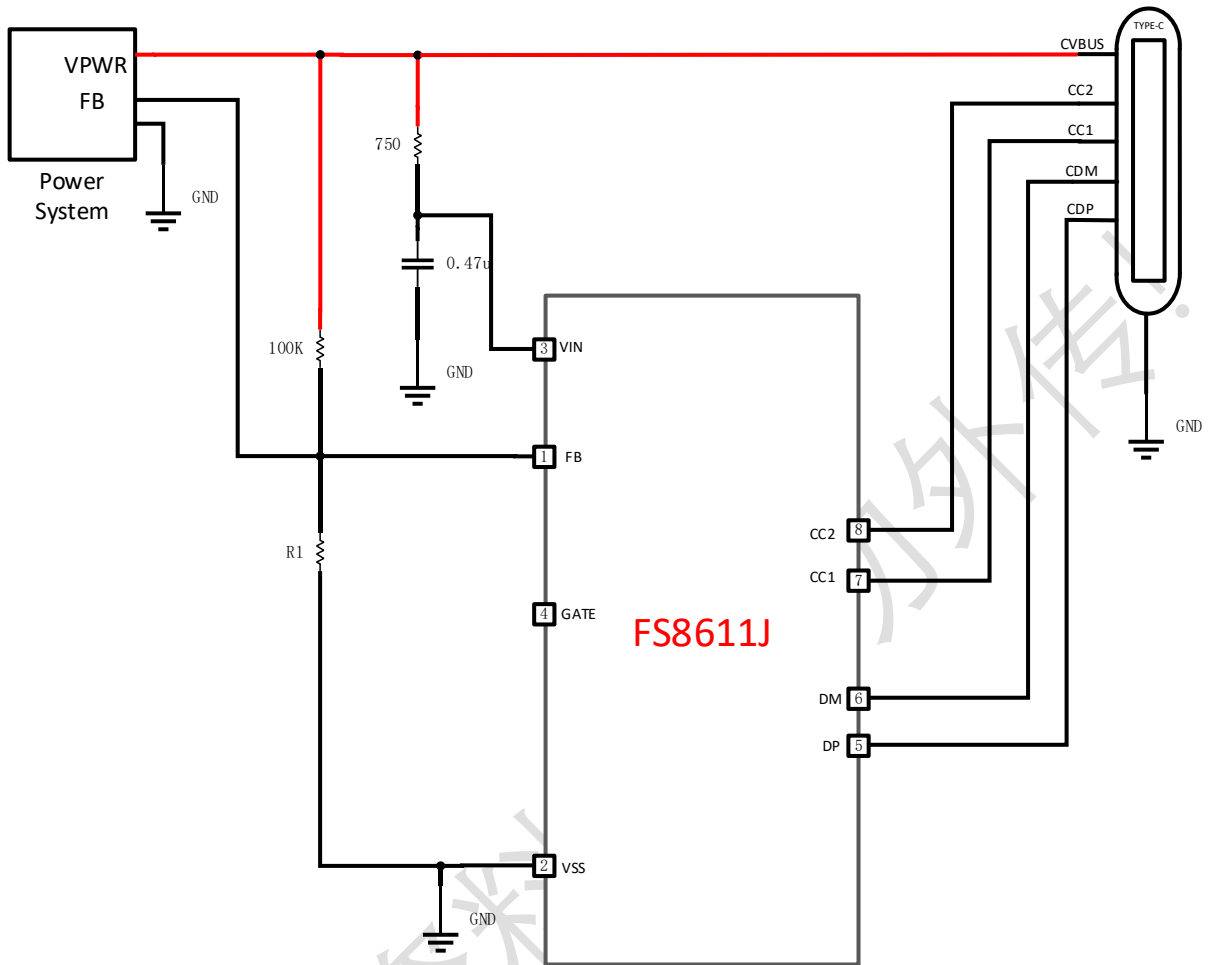
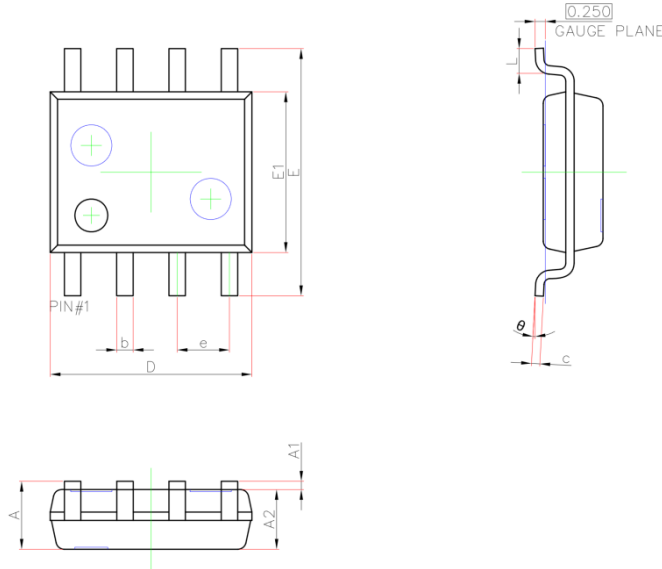


Figure 3. Application diagram



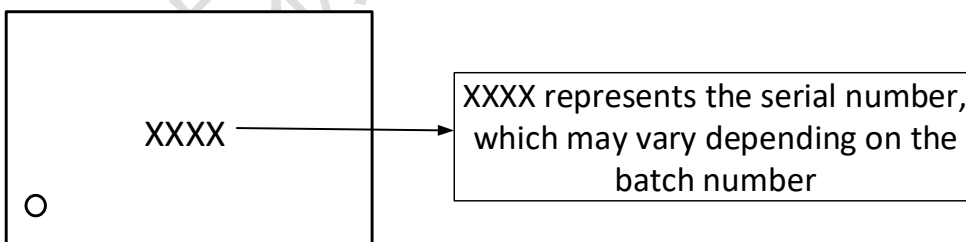
### Package outline drawing

#### SOP8



Symbol	Dimensions In Millimeters		Dimensions In Inches	
	Min.	Max.	Min.	Max.
A	1.350	1.750	0.053	0.069
A1	0.100	0.250	0.004	0.010
A2	1.350	1.550	0.053	0.061
b	0.330	0.510	0.013	0.020
c	0.170	0.250	0.007	0.010
D	4.700	5.100	0.185	0.201
E	5.800	6.200	0.228	0.244
E1	3.800	4.000	0.150	0.157
e	1.270(BSC)		0.050(BSC)	
L	0.400	0.800	0.016	0.031
θ	0°	8°	0°	8°

#### Screen printing instructions:



FS8611J model information: Screen printing is the serial number, and the production batch number code is used to distinguish each batch number information. Screen printing changes according to the production batch





## Company information and statement

---

### HQ

E2-503, China Internet of Things International Innovation Park, No. 200, Linghu Avenue, Xinwu District, Wuxi City

Website: [www.fastsoc.com](http://www.fastsoc.com)

Wechat public Account.: fastsoc

### Shanghai R&D Center

Room 104, Building 3, No. 1690, Cailun Road, China (Shanghai) Pilot Free Trade Zone

### Sales and technical support

Contact: Mr. Gu

Mobilephone: 1895-248-8621

E-mail: [gejing@fastsoc.com](mailto:gejing@fastsoc.com)

### Statement

Wuxi FASTSOC Microelectronics co., Ltd. reserves the right to modify the product and the product data manual at any time. All information in this document, including product functions, performance, and company information, may be modified without informing users. The functional and performance indicators described in this article were tested in a laboratory environment and there is no guarantee that the same data will be available on customer products. The information herein does not imply, indicate, support, prove or imply in any form that the Product can be used for any application that infringes the intellectual property rights of any third party. The information herein is only for guidance in the use of the chip and does not authorize users to use the intellectual property rights of Our company or any other company.

Our products are not designed for extreme conditions and life support systems. If the user chooses to use it on these occasions, it is at the user's own risk without our confirmation and permission.

Wuxi FASTSOC Microelectronics Co., Ltd. and its registered and used trademarks, logos, all kinds of intellectual property rights belong to Wuxi FASTSOC Microelectronics Co., LTD. All other trademarks, logos, designs, and material numbers used herein are the property of their respective owners